

Smart PRO Tethered Technical Product Specifications



General Specification

Tethered	Yes
Weight (inc. cable)	6m (4.5kgs) 9.4m (5.6kgs)
Operating Temperature	-20°C to 50°C
Storage Temperature	-20°C to 50°C
Operating Humidity	10% to 85%
Communications	WiFi (standard) 4G, Ethernet (optional)
Communications Protocol	Indra App
Warranty Length	3 years
Charging Lead Lengths	6m (9.4m optional)

Electrical Specification

Rated Power	7.4kW
Standby Consumption	5W
Nominal frequency	50Hz
Overvoltage category	CAT III
Input Voltage	230V, AC +- 10% (1P)
Output Voltage	Variable up to 32A

Mechanical Specification

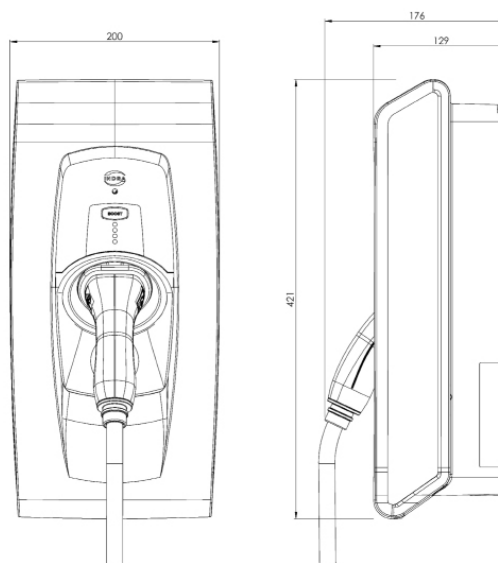
Height	421mm
Width	200mm
Depth	143mm
Cable/Socket Type	Type 2 tethered
IP Enclosure	Polycarbonate, IP66 rated

Protection Specification

Protection	6mA DC leakage detection
Degree of Protection	IP66
IK Protection	IK10

Key Features

- RFID compatible
- PEST Protection
 - PEN Fault protection (inbuilt)
 - Earthing protection
 - Simultaneous contact protection
 - Touch voltage protection
- Load curtailment
- Solar mode
- App control via Indra App
 - Smart scheduling
 - Tariff integration / Intelligence
 - Track your history / Charging analytics
 - Lock your charger
- Boost via charger or Indra App
- Dedicated Customer Support Team
- Continuous over-the-air updates
- Fully compliant with all Smart Charging Regulations



Email us:
sales@indra.co.uk



Call us:
(+44) 01684 770 631



Website:
www.indra.co.uk